
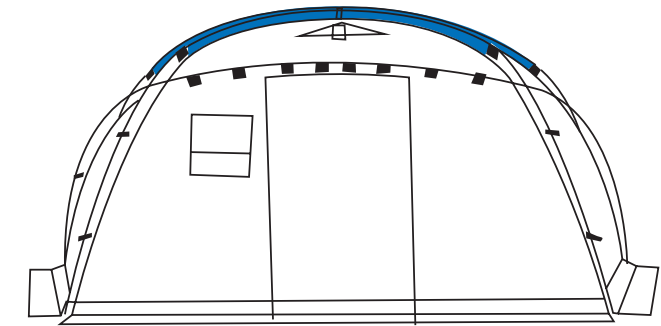


Technical drawing

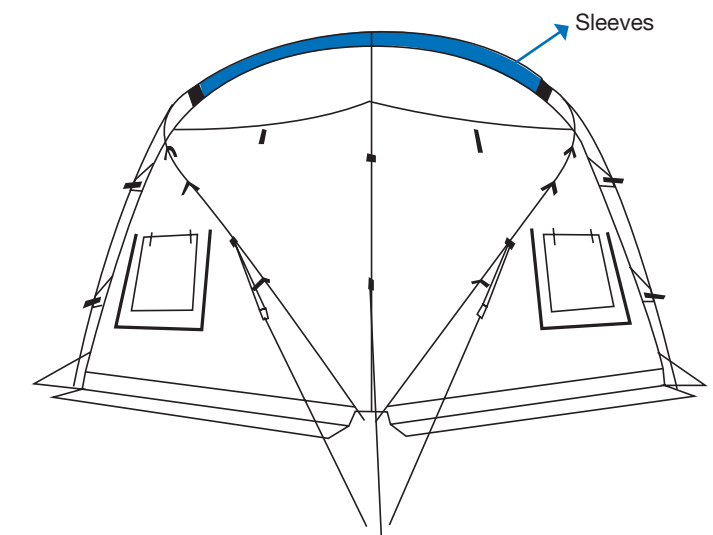
3 x  Ideal to assemble this tent in 30 minutes



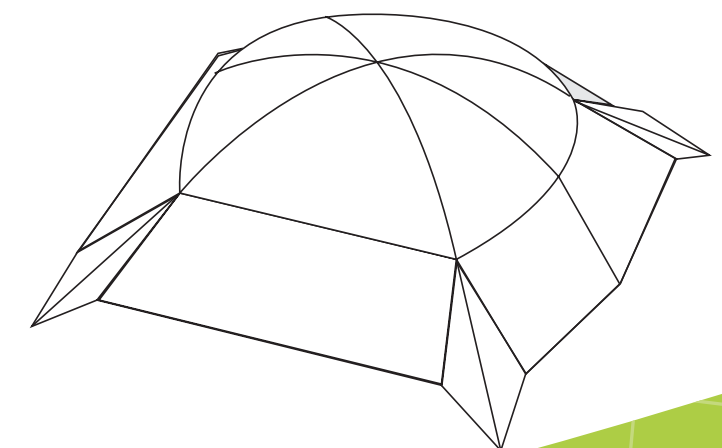
Front elevation




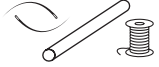




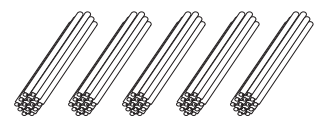

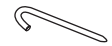
Side elevation



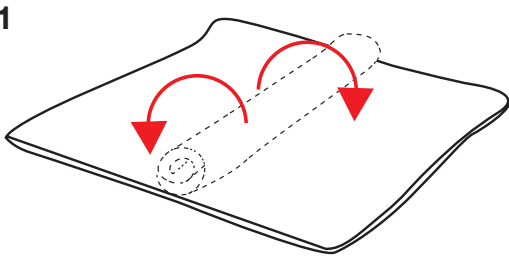
Shade net



Packing list

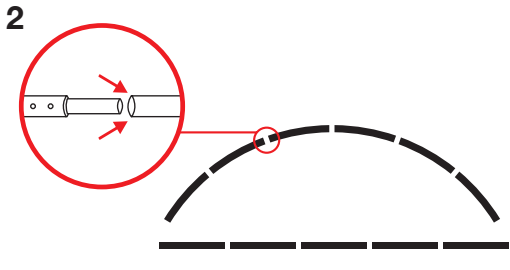
A	1x Outer tent with integrated ground sheet (guy lines pre-installed)		G	1x Repair kit	
B	1x Partition		H	1x Hammer	
C	1x Shade cover (guy lines pre-attached)		I	1x Assembly manual	
D	5x Equal poles <ul style="list-style-type: none"> . 3 x cross poles . 2 x sloped poles 				
E	6x TR pegs				
F	6x Candy cane pegs				

1



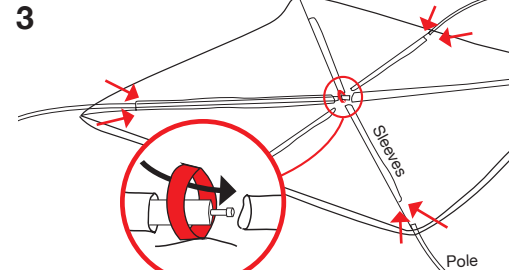
Layout the outer tent.

2



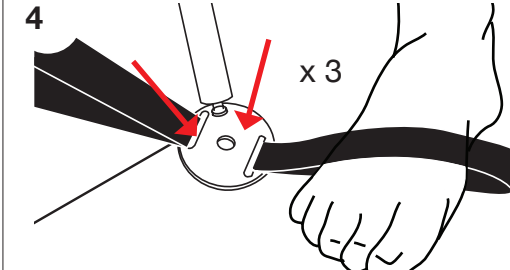
Assemble all pipes.

3



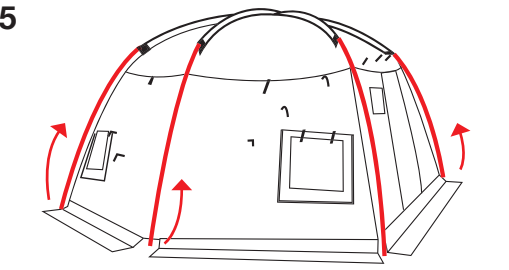
Slide three cross poles through the sleeves. Ensure that all poles go through the central red loop.

4



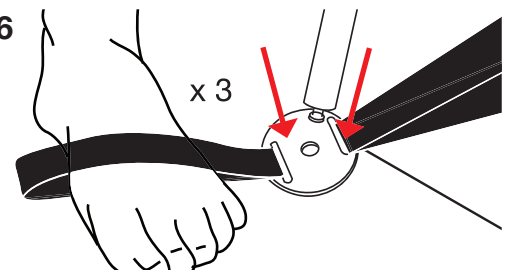
Insert one end of each pole into the eyelet of the base plate at the one end of the pole sleeve.

5



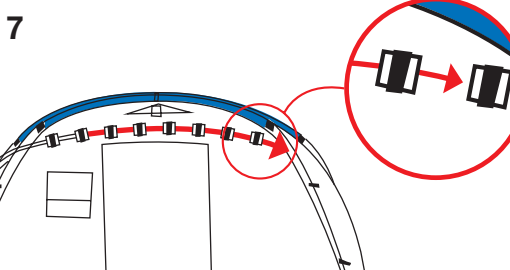
Erect the tent by pushing the poles into sleeves.

6



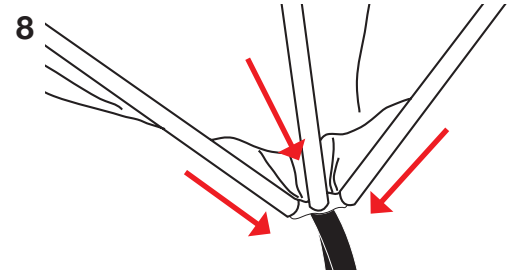
Insert the other end of each pole into the eyelet of the base plate at the other end of the pole sleeve.

7



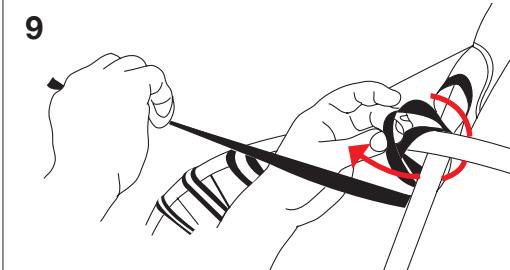
Slide the sloped poles through the short pole sleeves above the doors.

8



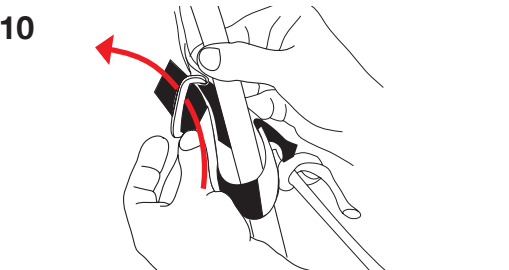
Fix the ends in the three-pole base plates at the sides of the tent.

9



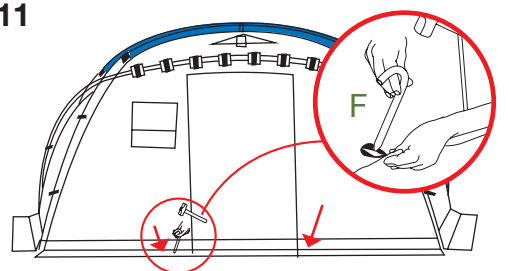
Wrap all velcro straps around the crossing poles.

10



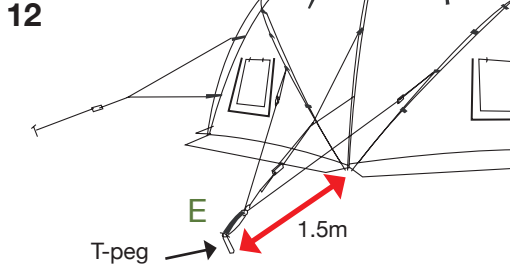
Wrap all velcro straps around the sloped poles.

11



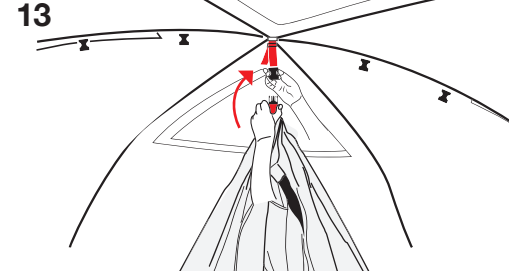
Place candy cane pegs into the loops next to the entry doors.

12



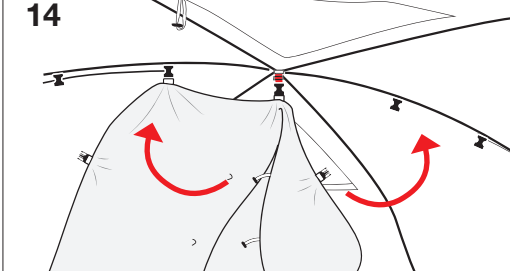
Stake out a long T-peg 1.5 m from each of the six corners and connect the guy lines.

13



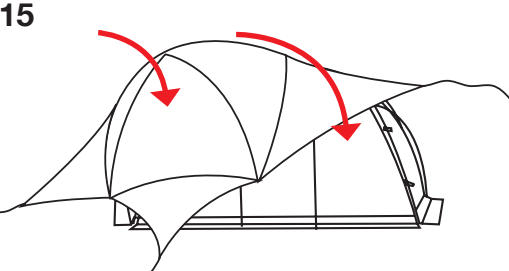
Connect the buckles of the partition, starting at the centre with the red strap, and then the remaining buckles.

14



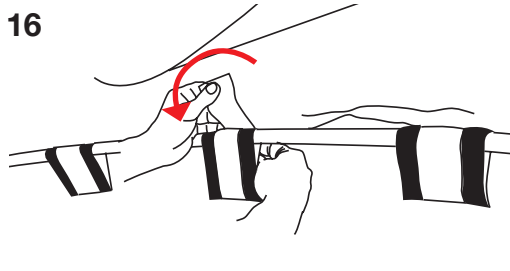
Complete by connecting the remaining buckles

15



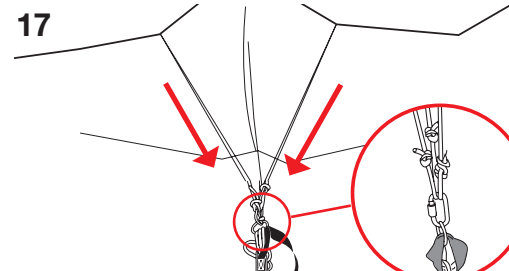
Place the shade cover on top of the tent.

16



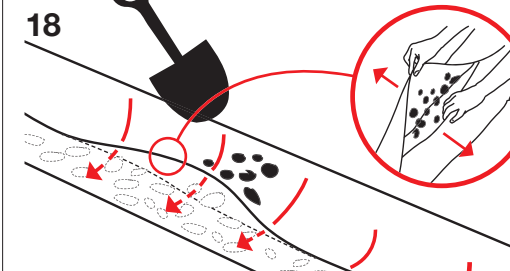
Connect the shade cover to the tent by closing the velcro straps over the Velcro on the pole sleeves.

17



Connect the guy lines of the shade cover to the snap hooks on the T-pegs and tighten.

18



Fill pockets of mud-flaps with stones, dirt, rocks.