

# STANDARD BAMBOO RSK EMERGENCY SHELTER ASSEMBLY GUIDELINES

ReciproBoo Shelter Kit (RSK)  
Winner Aid Innovation Award  
AidEx 2015



This is part of the  
RSK Handbook used for  
training purposes to build all  
7 types of RSK shelter.  
For further details see our  
website

[www.RSKshelter.org](http://www.RSKshelter.org)



STANDARD RSK

1

2.3 m ( 7'6" )

X 2

2.8 m ( 9' )

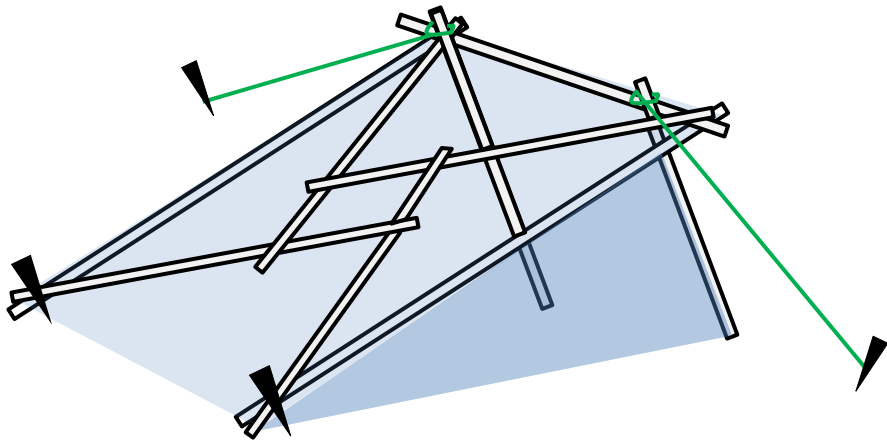
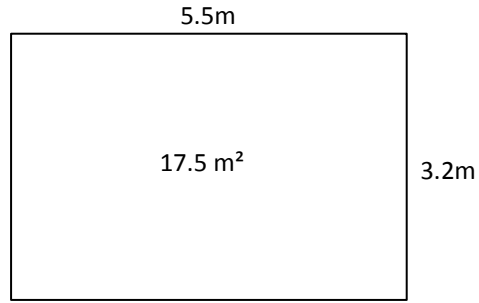
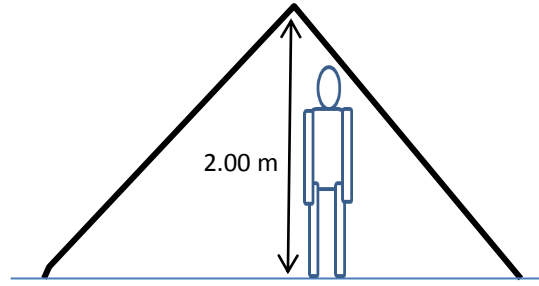
X 4

3.5 m ( 11'6" )

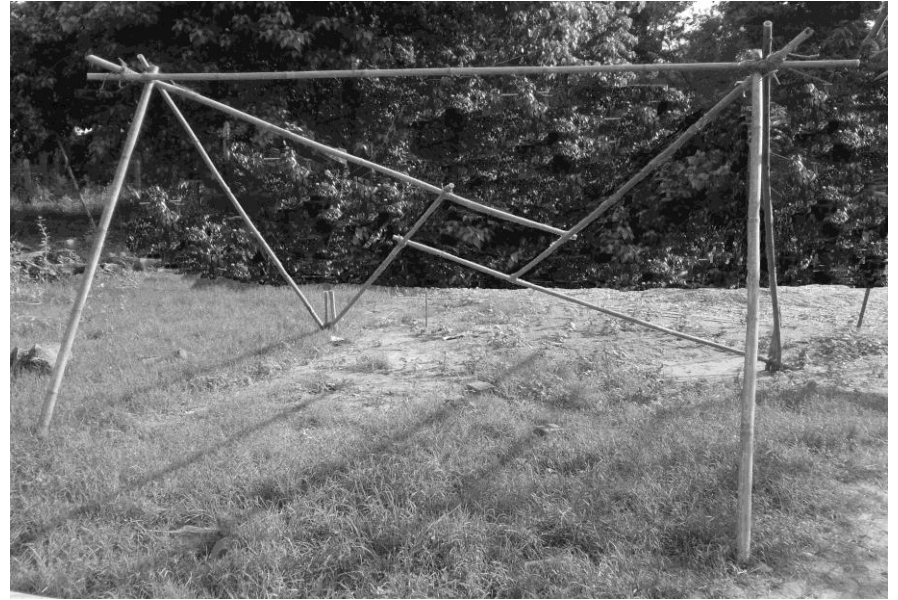
X 3

TOTAL = 9

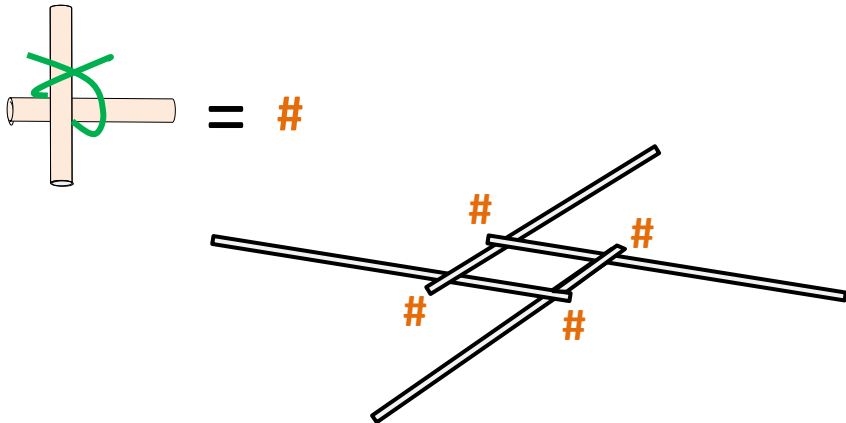
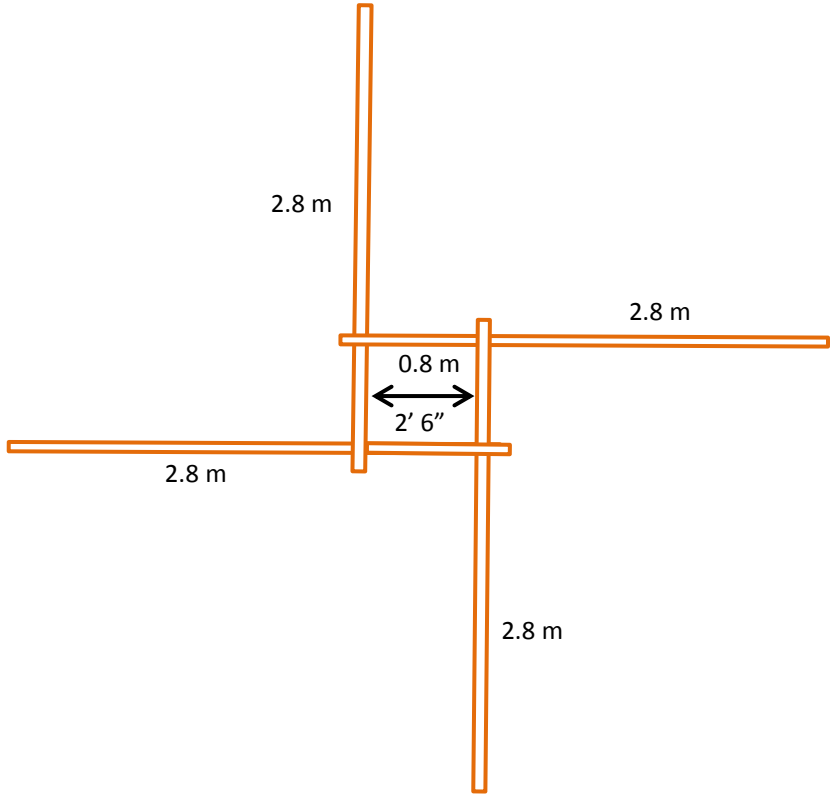
x 10m



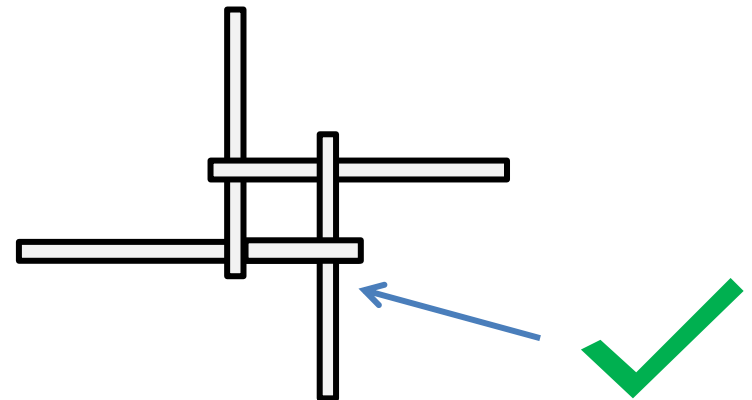
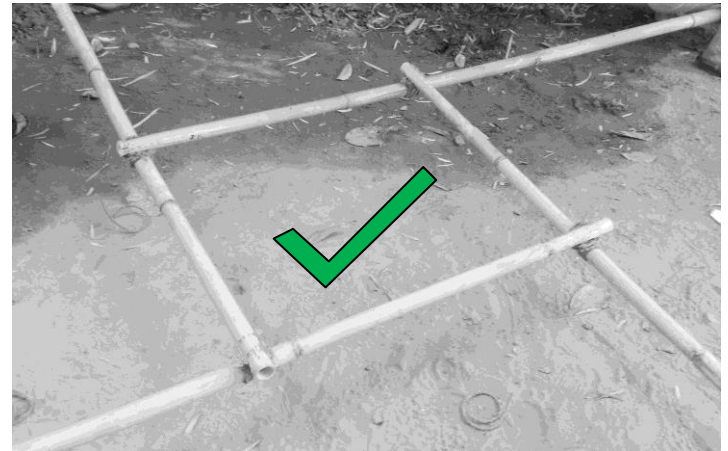
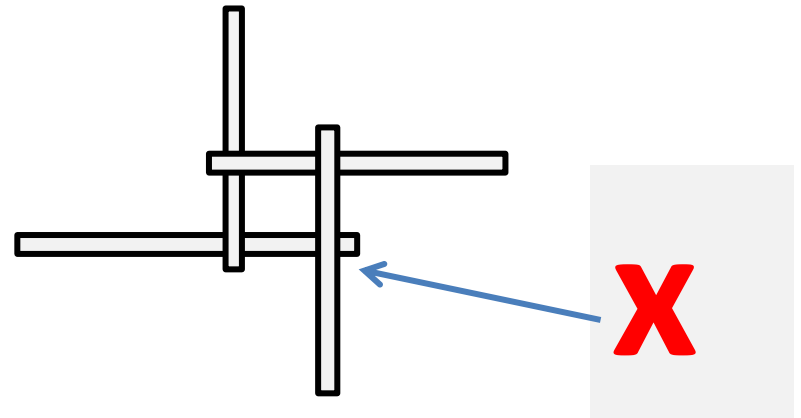
2



STANDARD RSK  
ASSEMBLY



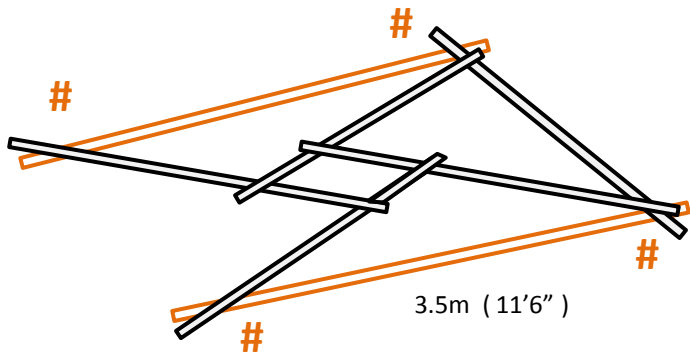
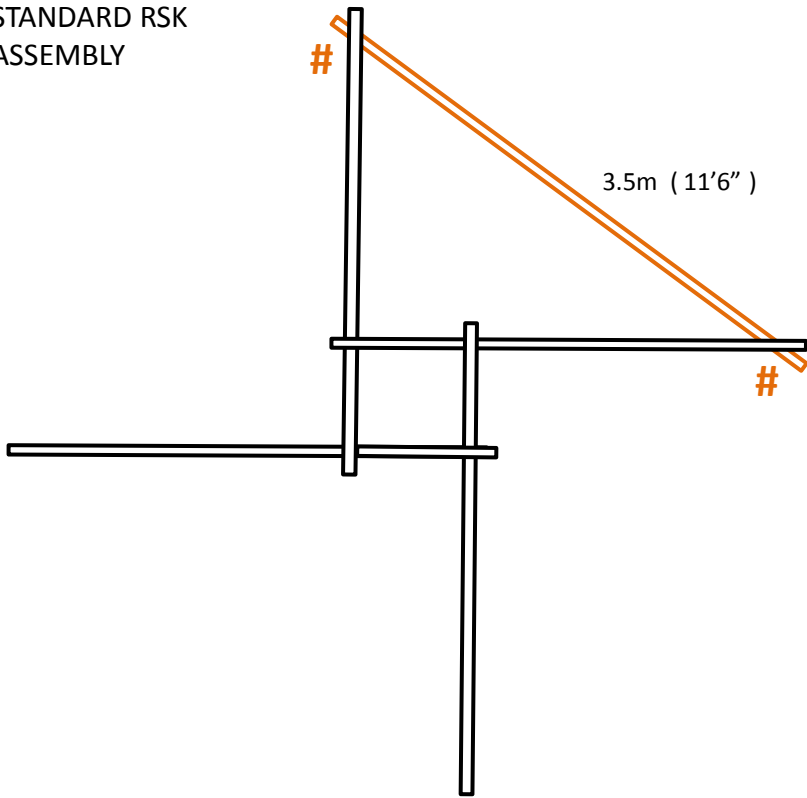
3



4

STANDARD RSK  
ASSEMBLY

5



6

