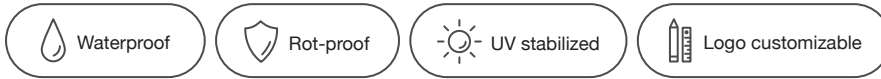


Viva Family Tent

ICRC/IFRC Standard



› Key Features

- › Waterproof, rotproof and UV-stabilised.
- › 16 m² main floor area plus two 3.5 m² vestibules.
- › Large windows (360 cm wide and 60 cm high).
- › Minimum living area in hot and temperate climates.
- › Suitable for family of 5 people.

› Dimensions

Total living area	23 m ²
Main floor	16 m ²
Two vestibule area	3.5 m ² x 2 = 7 m ²
Centre height	2.20 m
Width	4.00 m
Ridge length	4.00 m
Side wall height	1.25 m
Centre base length	6.60 m

Tent doors (width and height)

Total size	1.30 x 1.40 m
Door flaps	1.40 x 1.60 m
Upper part	1.40 x 0.90 m (PC)
Lower part	1.40 x 0.70 m (PE)

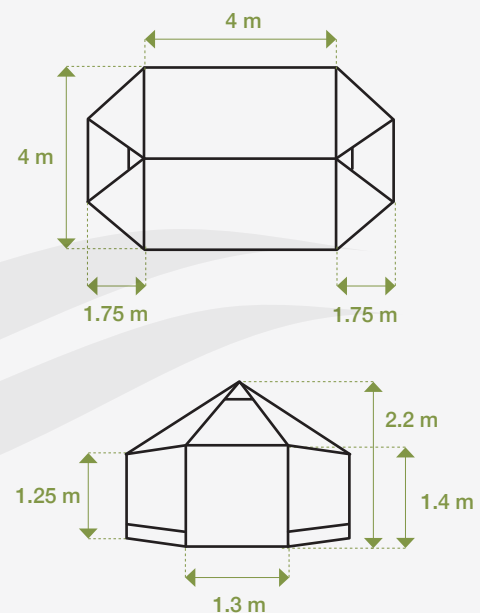
Upright poles

2 upright poles	2.20 m (25 mm x 1.2 mm)
1 centre upright pole	2.17 m (32 mm x 1.2 mm)

Side poles

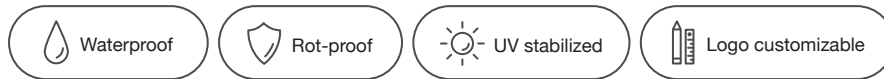
6 side poles	1.25 m
4 door poles	1.40 m
Pole diameter	19 mm x 1mm

› Graphic Reference



Viva Family Tent

ICRC/IFRC Standard



› Materials

Outer tent	Roof: 350 ±15% gsm Polycotton, natural Wall: 200 ±10% gsm Polycotton, natural
Inner tent	130 ±10% gsm Polycotton, dyed sand or cream
All PE parts	<ul style="list-style-type: none"> » Base fabric: Woven high density polyethylene (HDPE) black fibers » Coating: White low density polyethylene (LDPE) on both sides » Tear strength: Minimum 100 N » Tensile strength: Minimum 500 N, 15%-25% elongation in warp and weft
Ground sheet	190 gsm Polyethylene (HDPE), white, sewn in bathtub (±20 g)

› Tent Parts

Inner partition	Two half partitions running from centre pole to side wall
Chimney	A chimney reinforcement with a non-perforated opening is placed at 0.50 m from one corner
Windows	Outer tent has two long windows (360 x 60 cm) with mosquito netting and a rain flap running on both sides of the tent
Ventilators	The outer tent has two ventilation openings (35 x 40 cm) in front and back with reinforcement netting and a rain flap

› Packing and Shipping

Contents	Tent, inner tent, accessories (assembly instruction, content list and repair kit)
Weight per tent	55 ±3% kgs approx.
Dimension per tent	225 x 32 x 32 cm
Volume per tent	0.2304 cbm
Number of tents per cage	15
Dimension per cage	230 x 119 x 113 cm
Volume per cage	3.09281 m ³
Weight per cage	850 kg approx.

› Estimated Loadability

Containers	With cage	Without cage
20' GP	10 cages, 150 tents	160 tents
40' GP	20 cages, 300 tents	330 tents
40' HC	20 cages, 300 tents	400 tents